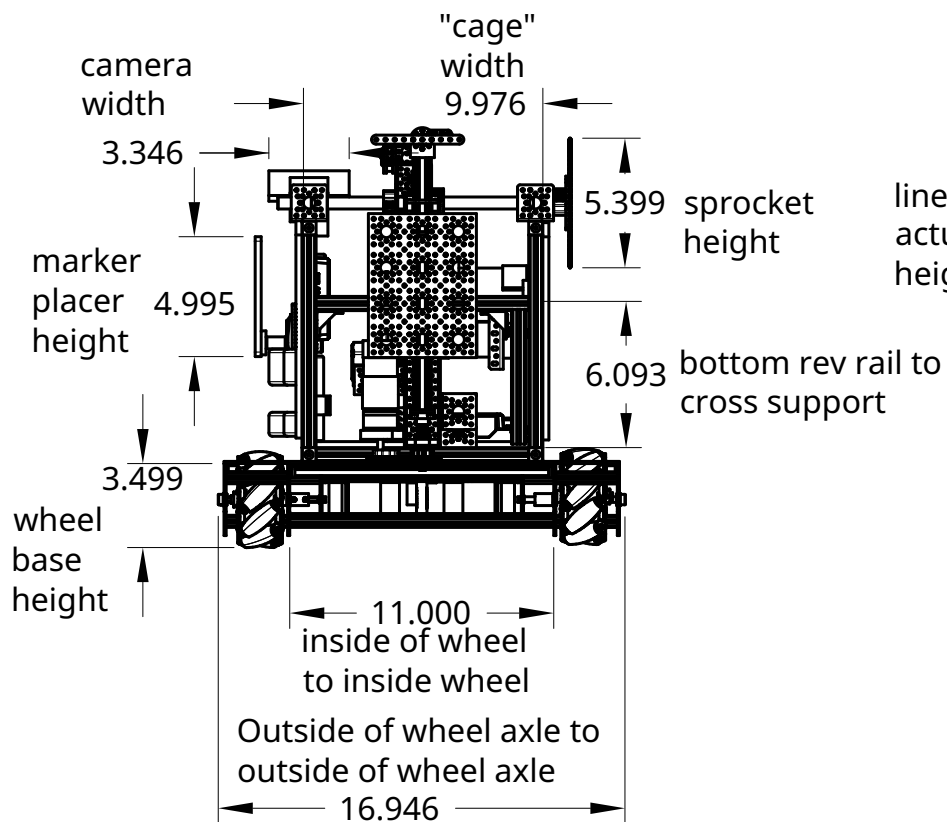


2

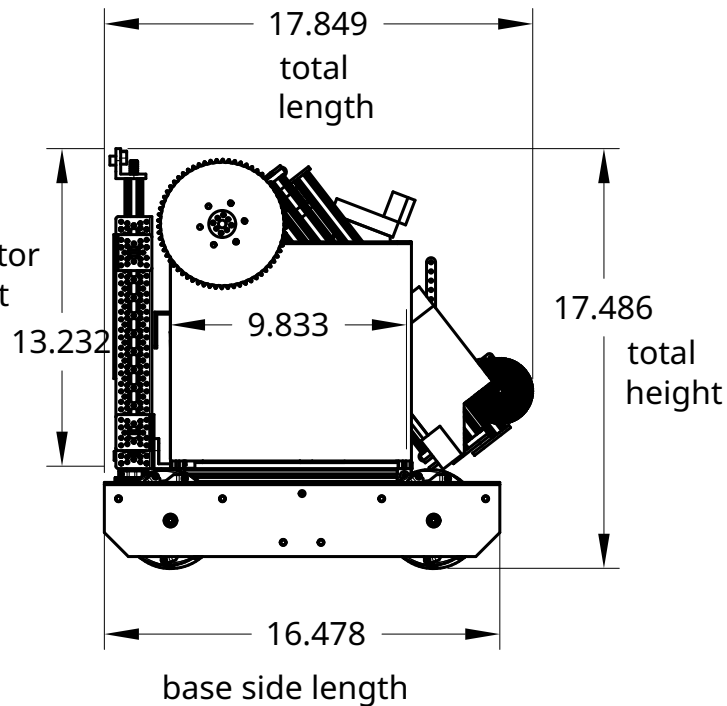
1

Front view

right view



linear actuator height



B

B

A

A

UNLESS OTHERWISE SPECIFIED, DIMENSIONS ARE IN INCHES .XX = ±.0- .XXX = ±.00- .XXXX = ±.000- SURFACE FINISH	NAME	DATE	TITLE Overall Design			
	DRAWN	DREW BUSCH			01/29/2019	
	CHECKED					
	APPROVED	---	---	SIZE	DWG. NO.	REV.
	DO NOT SCALE DRAWING			1		
BREAK ALL SHARP EDGES AND REMOVE BURRS			SCALE	WEIGHT	SHEET	
THIRD ANGLE PROJECTION	MATERIAL	FINISH	1:8		2 of 3	

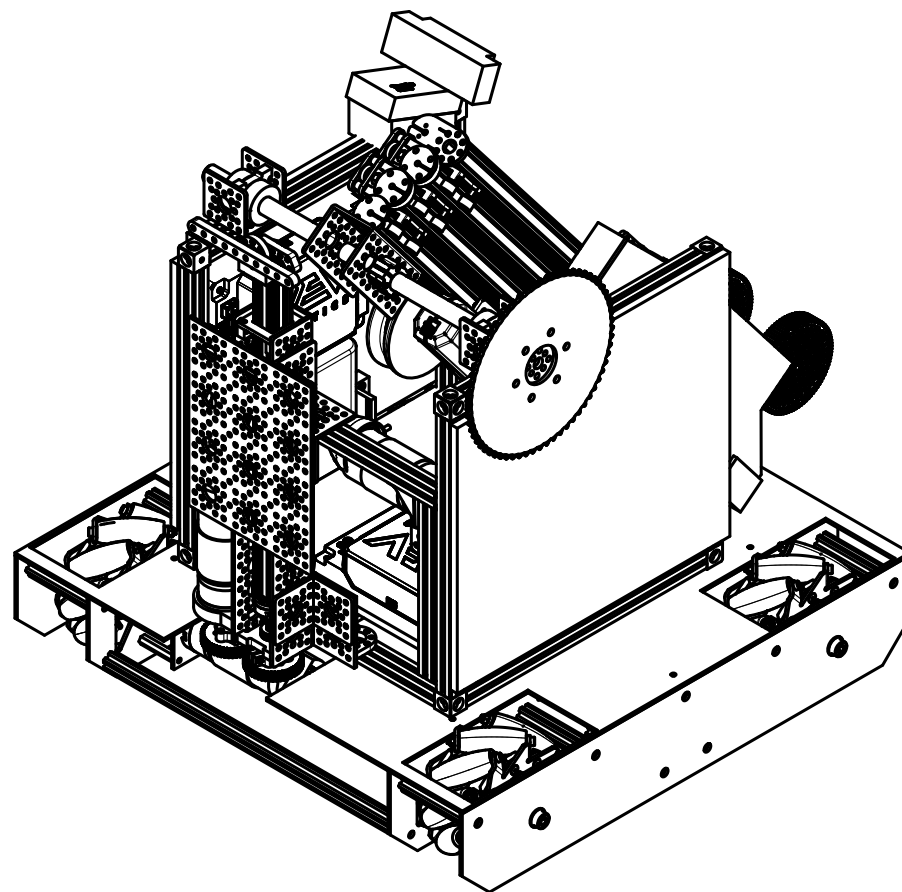
2

1

2

1

Washi 3.5



B

B

A

A

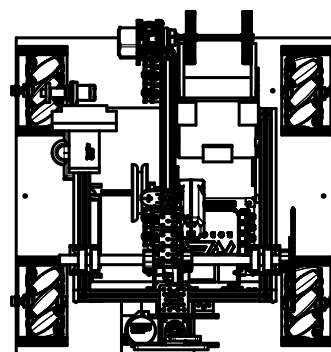
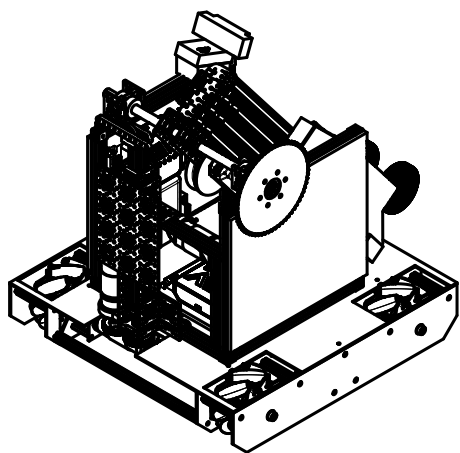
2

1

DWG NO.	1	SIZE	A	SCALE	1:5	SHEET	1 of 3	REV.	
---------	---	------	---	-------	-----	-------	--------	------	--

2

1



B

B

A

A

2

1

DWG NO.	1	SIZE	SCALE	1:10	SHEET	3 of 3	REV.
---------	---	------	-------	------	-------	--------	------